

SPECIFICATIONS

Material: HEXSEALS: Silicone rubber conforms to A-A-59588 Class III, GR 60 unless otherwise specified.

Mounting Nut: HEXSEALS: Brass, nickel-plated (unless otherwise noted)

Temperature Range: HEXSEALS: -94°F to +400°F

Pressure Range: Exceeds 15 psi internal and 1500 psi external.

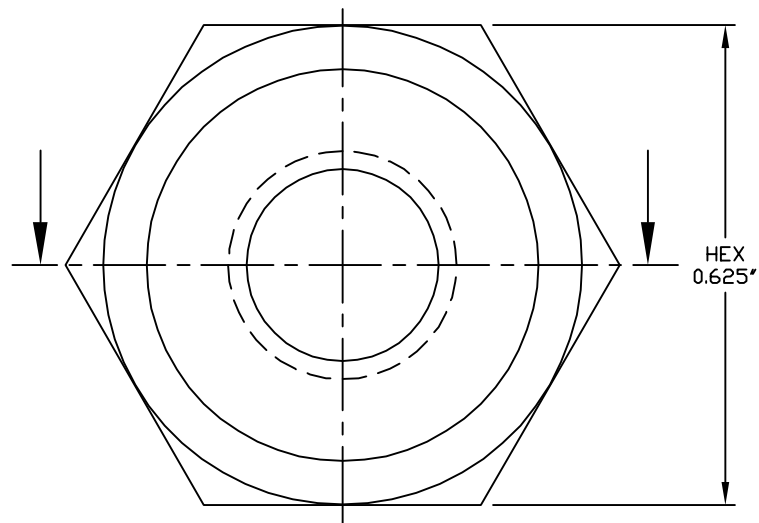
Operational Life: 50,000 actuations (minimum).

Shelf Life: Excess of 25 years.

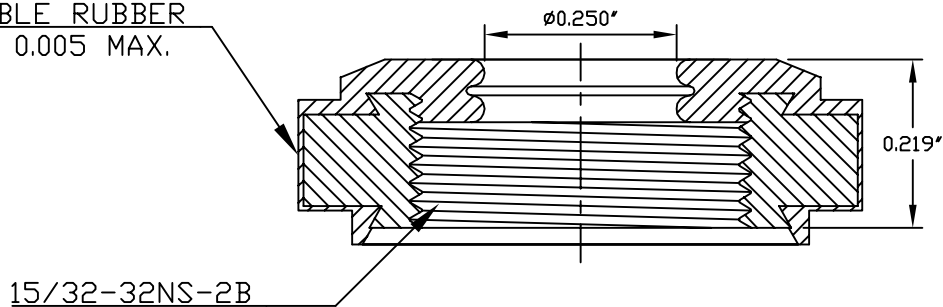
Resistant to: Salt spray, sunlight, ozone, weather, fungus, and most acids and lubricating oils

Agency Recognition: E-SEEL and HEXSEAL are UL listed to UL Std. 50 types 1-13, and meet CSA standards.

Installation: If a reducing adaptor is required- see page 14 of HEXSEAL catalog HEX200 for part numbers and drawing.



PERMISSIBLE RUBBER OVERLAY 0.005 MAX.



H	MAT'L CHANGED and REDRAWN	S. GOK	07.10.09
G	CAD COMPUTER GENERATED		09.23.02
F	UPDATED	R. C.	08.07.74
REV.	DESCRIPTION		DATE
MAXIMUM AND MINIMUM MEASUREMENTS ARE STATED DIRECTLY ON EACH DIMENSION.		TITLE	
MAT'L: Silicone Rubber conforms to A-A-59588, Gr. 60		SEAL, SHAFT, ROTARY (N9060x1/4)	
FINISH: GRAY		APM-HEXSEAL CORPORATION	
		ENG. DWN.	S. ANDREWS
		CHKD.	J. CELLA
		SCALE	4 : 1
		DWG. NO.	N9060x1/4 HEXSEAL®

THIS DRAWING COVERS PROPRIETARY ITEM AND IS THE PROPERTY OF THE APM-HEXSEAL CORPORATION. THIS DRAWING IS NOT TO BE COPIED OR USED WITHOUT THE WRITTEN APPROVAL OF AN OFFICER OF THE APM-HEXSEAL CORPORATION.